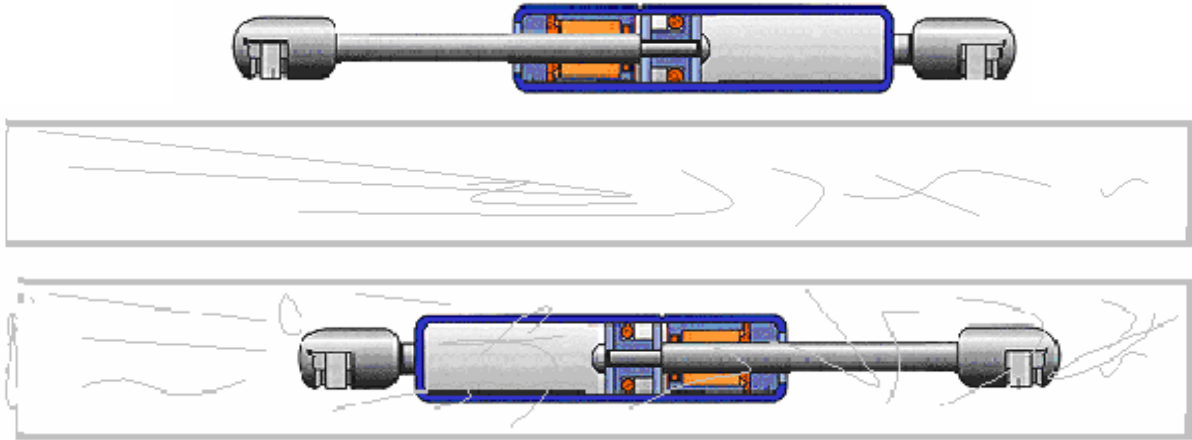


SAMPLE TRANSPARENT BAG



Each gas spring is being packaged with a single transparent plastic bag. If our customer needs a Special packaging we need samples and there will be extra costs.

For instance, the auto-shop companies needs the gas springs with special plastic bag and their name and their logo and other information required is written on the surface of the bag.

SAMPLE SPECIAL BAG



After transparent bags they are put into cardboard packages and each package includes 20 pcs gas springs average. There are two are two cardboard packages; one is used as cover for the smaller and the system is shown as following with drawings simpley. Because of the system, all the gas springs long or short can be pack up always with the same two cardboard packages. The weight can be adjusted according to the gas springs length. The goods details inside the cardboards stamped in front surface.

At the end, they are packed up as PALLET. The palet is covered at first with nylon material then, with strong plastic ropes with a Special machine. Customer details and the goods details inside the pallet stamped in front surface.

